

electric strikes

Valid since: 01.01.2009



Elektra Plus

Tomasz Połczyński

elektra plus

Ul. Grudzieniec 66, 60-601 Poznan, Poland
phone / fax +48 (61) 84 84 178
phone +48 (61) 84 84 177
e-mail: biuro@elektraplus.poznan.pl, www.elektraplus.poznan.pl
NIP 781-102-29-09
Bank Account: 52 1090 1346 0000 0001 0935 6292
SWIFT Code: WBKPPLPP



R1 ELECTRIC STRIKE

The R1 Electric Strike is designed for remote opening of right and left, as well as double-wing doors and gates, in co-operation with the door lock striker. It is made of aluminium alloys and powder-painted.

It is designed to be mounted within a doorframe, in which it is possible to make a 28 x 56 x 78 mm mounting hole.

The R1 Electric Strikes can work together with home interphone installation in all types of an entrance door.

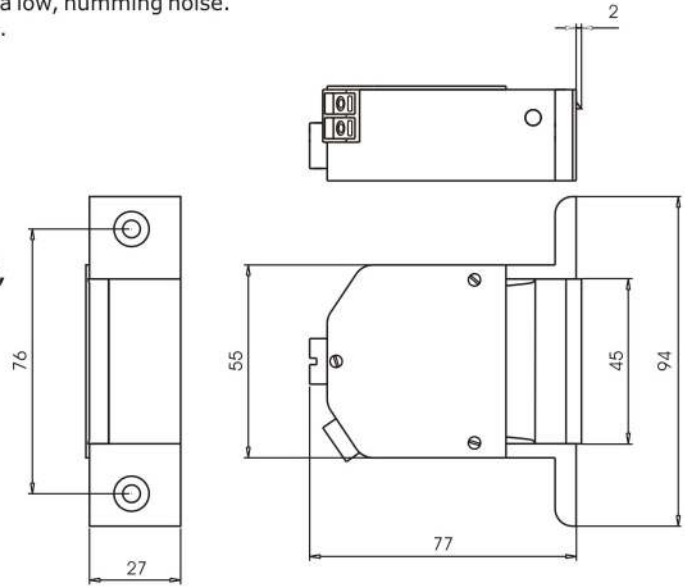
It should be protected against hostile weather impacts, moisture, and being accidentally coated with paint.

When working, the lock gives out a low, humming noise.

Plate is not required for mounting.

Basic technical data:

- external housing dimensions: 27 x 55 x 77 mm,
- weight: 0.24 kg,
- allowable thrust on the door at ratchet release: 30 N,
- allowable load of the door impacting the lock: 3500 N,
- rated voltage U: 10 ± 2 V or 24 ± 2 V,
- current I: approx. 300 mA (12 V), 120 mA (24 V),
- allowable uninterrupted operation time: 30 min.



R1 Electric Strike
basic dimensions



R2 ELECTRIC STRIKE

The R2 Electric Strike is designed for remote opening of right and left, as well as double-wing doors and gates, in co-operation with the door lock striker. It is made of aluminium alloys and powder-painted.

It is designed to be mounted within a doorframe, in which it is possible to make a 28 x 31 x 119 mm mounting hole. Changes in its construction have resulted in its lower depth, as compared to the R1 Lock, which renders it impossible to mount it within narrower doorframes.

The R2 Electric Strikes can work together with home interphone installation in all types of an entrance door.

When mounted, it should be protected against hostile weather impacts, moisture, and being accidentally coated with paint.

To be mounted in coil up position in compliance with housing marks: L=left door, P.=right door.

If dimensions allow, these locks may work interchangeably.

When working, the lock gives out a low, humming noise.

Plate is not required for mounting.

Basic technical data:

- external housing dimensions: 27 x 33 x 118 mm,
- weight: 0.25 kg,
- allowable thrust on the door at ratchet release: 30 N,
- allowable load of the door impacting the lock: 2500 N,
- rated voltage U: 10 ± 2 V or 24 ± 2 V,
- current I: approx. 350 mA (12 V), 120 mA (24 V),
- allowable uninterrupted operation time: 30 min



R2 Electric Strike
basic dimensions

R3 ELECTRIC STRIKE

The R3 Electric Strike is designed for remote opening of left, right, and double-wing doors and gates. It is offered in two version: "left" as a standard, and "right" as an option.

It is designed to be installed within a doorframe, in which it is possible to make a 23 x 29 x 91 mm mounting hole. The lock was made smaller, to the dimensions as indicated, by using a leverage system, thanks to which most doorframes can accommodate our locks.

The R3 Electric Strikes can work together with home interphone installation in all types of an entrance door.

The R3 Electric Strike is made of rust proof zinc alloys. It is powder-painted, and can be installed externally, provided that it is protected against flooding, against hostile weather impacts, and against being covered with paint.

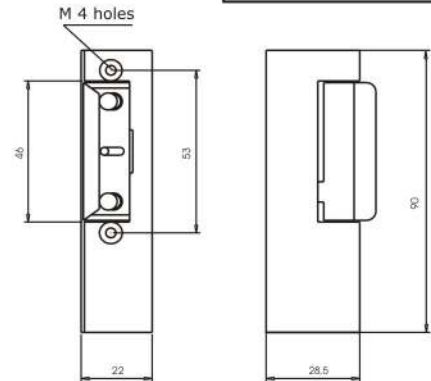
Version with lock is also available – the principle of operation is like the R3 version with lock.

Additional plate is required for mounting (see page 5)

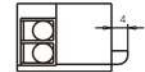


Basic technical data:

- external housing dimensions: 22 x 28,5 x 90 mm,
- weight: 0.20 kg,
- maximum mass of lock with the escutcheon plate: 0.40 kg,
- allowable uninterrupted operation time: 30 min or unlimited (decreased current consumption),
- current I: approx. 300 mA (12 V), 190 mA (12 V, decreased current consumption), 100 mA (24 V),
- rated voltage U: 10 ± 2 V or 24 ± 2 V,
- allowable load of the door impacting the lock: 3000 N.
- allowable thrust on the door at ratchet release: 30 N.
- the ratchet is adjustable within the range of 3 mm, which allows for door clearance adjustment



R3 Electric Strike basic dimensions



Basic version



Right version

The basic version: the basic type for left and right doors, making it possible to unblock the door upon voltage being supplied to the coil. It is also possible to adjust the clearance between the door lock's striker and the door lock's ratchet up to 3mm.

When working, the lock gives out a low humming noise.

The right version of the R3 electric strike: the so-called "right" versions are used wherever the door lock's design makes it impossible to use the standard "left" version.

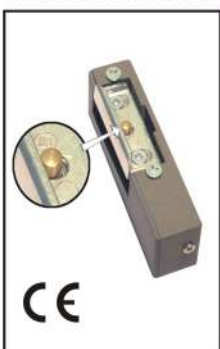


Interlock version

The interlock version. Acts in the same way as the basic version, but has an additional ratchet interlock function, thanks to which, when the interlock lever is moved, the door is left open permanently, without the use of an electronic pulse. When the interlock lever is moved back to its original position, the lock works as in the basic version.

This version may be used in rooms, where temporary unblocking of the door may be sometimes needed within working hours, i.e.: in office or services areas. When working hours are over, it is possible to block the lock again, whereby access to the premises is controlled by means of an interphone set system.

When working, the lock gives out a low humming noise.



Memory version

The memory version. The memory function makes it possible to open the door without the use of a key. When the electrical pulse is released using the Uniphone button, the lock memorises it, which means that it unblocks the ratchet until the door is open. When the door gets closed, the memory is cleared, and the lock returns to its original status.

This function can be used:

- when the user wants to leave the room without using the key or the knob;
 - when the user has several doors to go through, he or she can unblock them all with a single, short electric pulse;
 - when the entry procedure is prolonged.
- When working, the lock gives out a low humming noise.

NOTE: If the door is not opened, the ratchet (and thus the door itself) will also remain in its unblocked status.



Memory and interlock version

The memory and interlock version shares the properties of the interlock and the memory version at the same time.

The unlimited work time version features a unique coil design, which allows the lock to work under voltage continuously.

This type of lock is in rooms, where it is desirable to block the doors by cutting of voltage supply, e.g.: in offices, when the work is over, all doors are locked when voltage supply is cut off. This version may also work as the basic version.

It does not interfere with the work of electronic interphone systems. The system may be extended to use more locks without the need to increase power supply voltage.

This version gives out no noise at all.

The reverse action version or the so-called reverse lock. In its volt-free condition, the lock is unblocked. As soon as voltage is fed to it, the lock's lever blocks the ratchet. This version is mainly used in general use areas, where fire-fighting and work health and safety regulations impose the condition that the door must be unblocked in voltage drop situations, e.g. at schools, cinemas, office areas, etc.

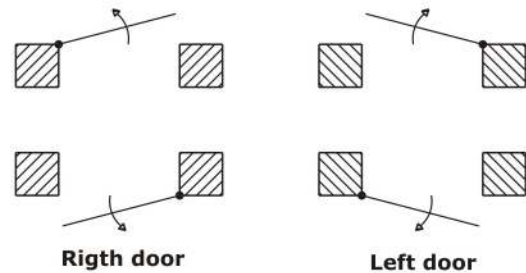
This version gives out no noise at all.

The lowered current consumption version is constructed in a similar manner as the unlimited work time version. It can also be operated as the basic version. It does not interfere with the work of electronic interphone systems. This system may be extended using successive strikers without the need to increase power supply. When working, the device gives out a low humming noise.

Status display version is equipped with a built-in microswitch, which can be connected into a blocked lock status-signalling lamp. It is used for memory locks as an open door signal.

Right and left doors are in compliance with definitions contained in Standards: PN-B-02100, PN-B-91000

Doors are defined looking from the side, from which door hinges are visible (PN-B-02100, PN-B-91000)



R4 ELECTRIC STRIKE

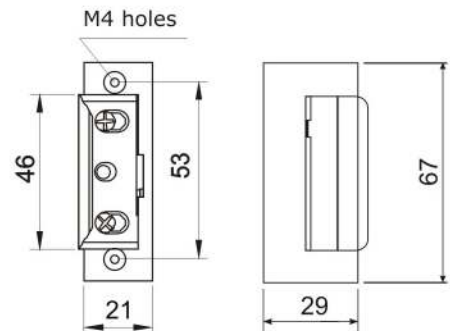
R4 Electric Strike is designed for remote opening of door and gates left- and right side and double-wing ones. It works together with ratchet-latch or ratchet type door lock. It is designed to be mounted within a doorframe, in which it is possible to make a 22 x 30 x 69 mm mounting hole. The advantage of this catch is its small dimensions and its symmetrical design thanks to which the version can be mounted both to left- and right side door. The additional advantage is the increased reliability of operation in case of twisted doorframe or distorted door.

The R4 Electric Strikes can work together with home interphone installation in all types of an entrance door. They are made of rust proof zinc alloys, so they can be installed outside buildings, however in such case they should be protected against flooding, hostile weather impacts and against accidental coating by paint.

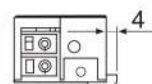
Version with lock is also available – the principle of operation is like the R3 version with lock. Additional plate is required for mounting (see page 5).

Basic technical data:

- external housing dimensions: 21 x 29 x 67 mm,
- weight: 0.16 kg,
- allowable thrust on the door at ratchet release: 30 N (3 kg),
- allowable load of the door impacting the lock: 3000 N (300 kg),
- rated voltage U: 10 ± 2 V or 24 ± 2 V,
- current I: approx. 550 mA (12 V),
- allowable uninterrupted operation time: 30 min.,
- the ratchet is adjustable within the range of 3 mm, which allows for door clearance adjustment

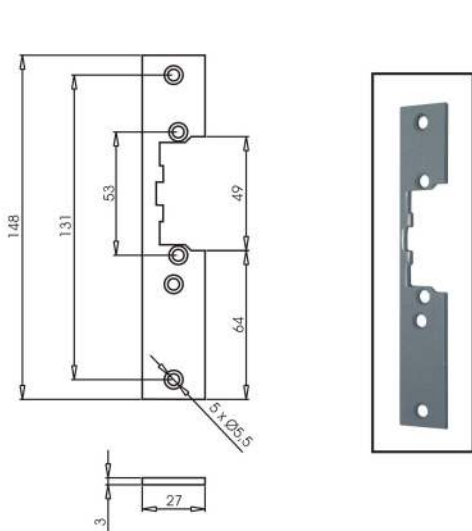


R4 Electric Strike basic dimensions

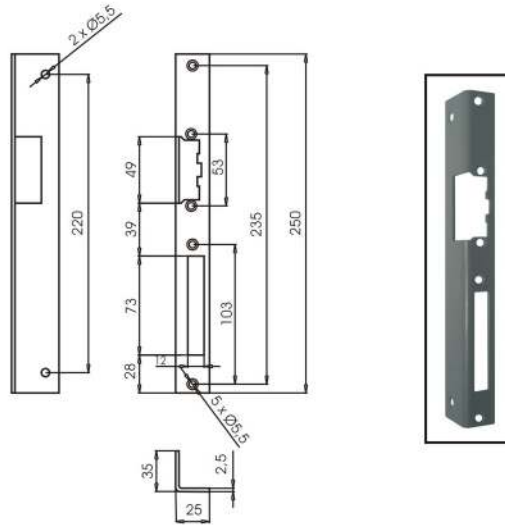


Please, get acquainted with table of lock's technical parameters at the end of our catalogue.

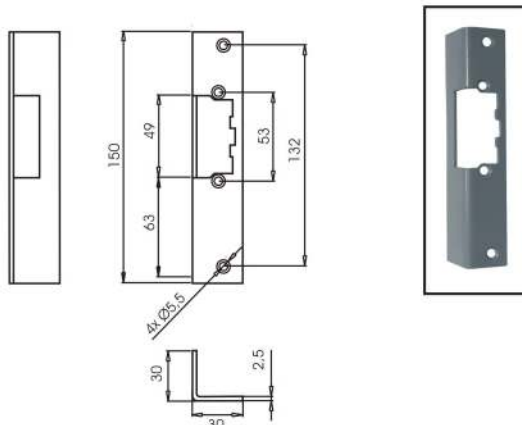
For electric strikes we suggest the following types of plates:



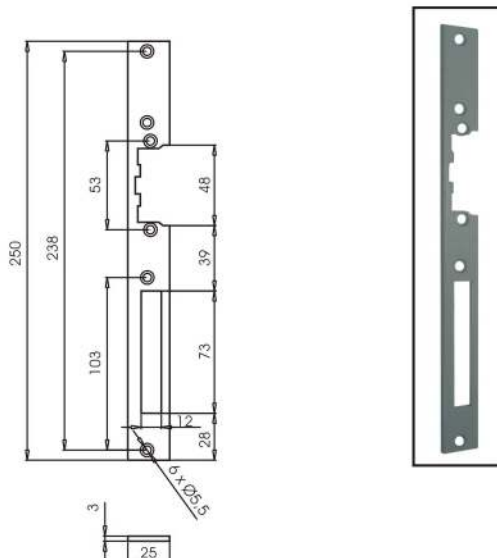
Flat, short, multi-purpose escutcheon plate
- for both left and right doors.



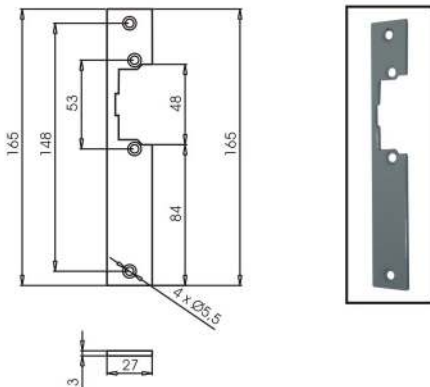
Angular, long, right escutcheon plate - for right doors.
Angular, long, left escutcheon plate - for left doors.



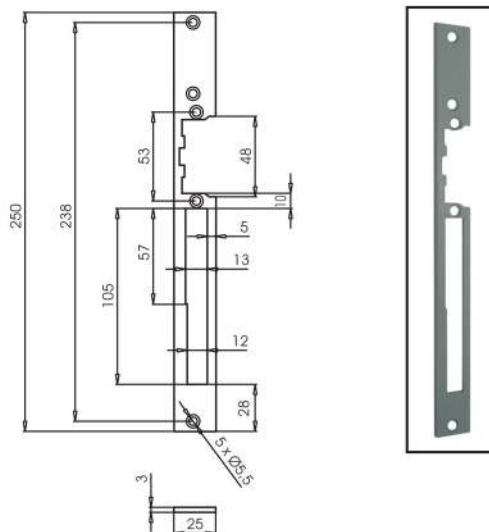
Angular, short (right) escutcheon plate
- for right doors, with an option to be fixed on left.



Flat, long, multi-purpose escutcheon plate
- for both left and right doors.



R2/R3 flat escutcheon plate - allows to replace solenoid lock R2 with solenoid lock R3, without the necessity to drill additional holes.



Flat, long, notched escutcheon plate - designed for both left and right doors. It is equipped with a much larger lock striker cutout.

In your order, please specify the precise lock and escutcheon plate version.

CT-54 THERMAL SENSOR

The CT -54 Thermal Sensor is made up of a metal housing with an M16 x 1.5 thread. It is mainly used in the railway industry, in wheel and suspension system temperature controls.

It is:

- shock-resistant,
- waterproof,
- chemically resistant,
- resistant to contamination coming from the wheel and suspension system, and other contamination sources,
- infallible performance.



8-PIN SOCKET AND 8-PIN PLUG

Socket and eight pin plug are intended for interphone installation. Socket is made of thermosetting plastic, and plug – made of aluminum, coated with powder paint of light steel color. To be purchased together or separately.

Basic technical data:

- **rated voltage: 24 V,**
- **rated current: up to 5 A.**



ZDS SIGNALLING DIODE ASSEMBLY

The ZDS Signalling Diode Assembly is used to indicate the correct work of electrical circuits. The assembly displays electrical circuits' defects or undesirable changes in the way they work.

Supplied with a 24 V voltage. Can be continuously lit for 24 hours.

Resistant to mechanical damage.

Can control from 11 to 14 circuits.



GS-220 SPECIAL SOCKET

A reinforced construction socket used in the railway industry, with a built-in microswitch to cut off voltage supply from contacts in case of lack of load.

Basic technical data:

- **rated voltage U: 24 V,**
- **current I: 6A,**
- **protection classification: IP20.**



WAG ELECTRIC STRIKE

Electric strike and escutcheon plate versions similar as for R3 locks for interphone installations, with some changes in the electrical system to fit railway requirements.

Basic technical data:

- **rated voltage U: 24 V,**
- **current I: 85mA,**
- **other data: same as for the R3 electric strike.**



G-23 LAMPHOLDER

This Lighting Fitting is designed for G-23 compact fluorescent lamps. It should be mounted using two M3 screws, sheet metal screws, or spring snap fasteners.

Basic technical data:

- type: **ON-1**,
- rated current: **1 A**,
- rated voltage: **250 V**.

G-23 fluorescent lamp fittings: secured, to be built-in meet PN-93/E-93400 requirements



4x4 and 5x4 BRANCH JOINT

The branch joint is made of polyphene (4x4) or polypropylene (5x4). Designed for ø70 installation boxes.

Basic technical data:

- rated voltage: **380 V ~**,
- ambient temperature: **40°C**,
- protection classification: **IP00**,
- cables connected: up to **4 mm²**.

These branch joints meet the following requirements: PN-EN 60998-2-1:2001 PN-EN 60998-1:2001.



BELL-PUSH

Made of brass, polished, with M15x1 thread. Can be bought either separately or together with decorative escutcheon plates.

Basic technical data:

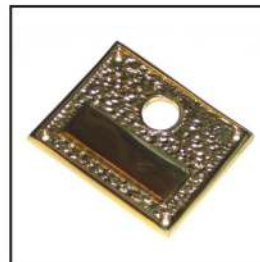
- rated voltage: **24 V ~**,
- rated current: **1 A**,
- protection classification: **IP00**.



DECORATIVE ESCUTCHEON PLATES

Made of brass, with a possibility to make engravings. Available in 8 designs.

An example of a decorative escutcheon plate



CW-1 PULL CORD SWITCH

Pull Cord Switch built-in in class II devices is used with low power recipients (such as: lamps, fans, etc.). Since the switch is built-in, voltage is controlled using a pull cord.

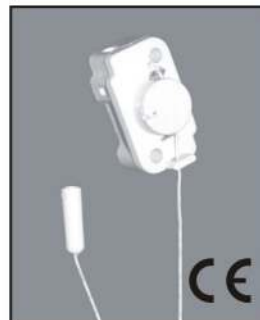
Basic technical data:

- rated voltage: **250 V, 50 Hz**,
- rated current: **1 A or 2,5 A**,
- ambient temperature: **40°C**,
- protection classification: **IP20**.

These pull cord switches meet the following requirements: PN-EN 61058-1:2002; EN 61058-1:1992 + A1:1993

Available versions:

- CW-1/ST (standard – 2,5A; ø1,0; 25c; with knob)
- CW-1/G/40 (poll cord 40 cm; with knob)
- CW-1/ZGRZ/40 (welded string)
- CW-1/BG/42/1,5 (poll cord 40 cm; ø1,5)
- CW-1/BSZ (without poll cord)
- CW-1/FAZ (phased holes)



32 A PLATES

Made of melamine or polyphene, as replaceable inserts used for 32 A power sockets with flat bolts.



ANGLE BARS

The following angle bar lengths are available:

- 400 mm (scale: 30 cm),
- 600 mm (scale: 50 cm),
- 800 mm (scale: 70 cm),
- 1000 mm (no scale),
- 1200 mm (no scale).

All versions are powder painted.

Fabrication accuracy: ± 0.5 mm per 1 m of length.



